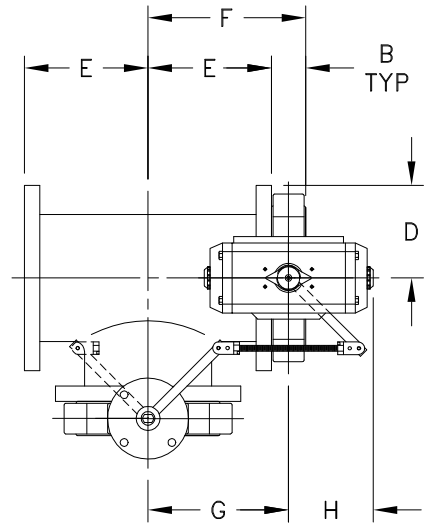


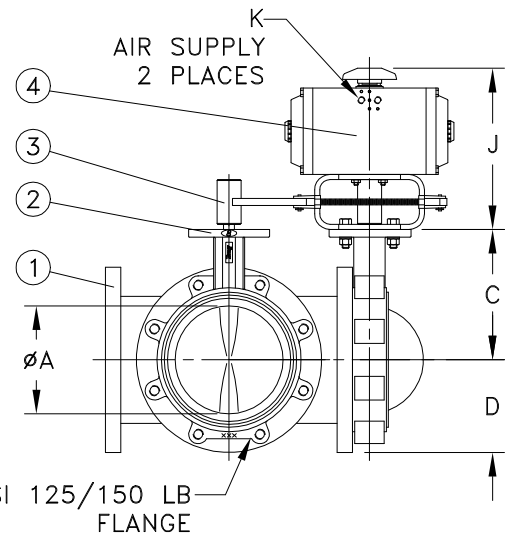
ATTENTION

THIS DOCUMENT IS VALID ONLY IF YOU DOWNLOADED IT FROM WWW.BRAY.COM OR RECEIVED IT FROM AN AUTHORIZED BRAY SALES OFFICE OR DISTRIBUTOR. IF YOU RECEIVED THIS DOCUMENT FROM ANY OTHER SOURCE, PLEASE TAKE INTO CONSIDERATION THAT ALTERATIONS COULD HAVE BEEN MADE.

S31 Butterfly Valve w/S11 Tee Dimensions								Bolting Data		
Valve Size	A	B	C	D	E	F	G	Threads UNC-2B	Length	No.
2"	2.00	1.62	5.50	3.00	4.50	6.12	5.31	.62-11	1.50	8
2 1/2"	2.50	1.75	6.00	3.50	5.00	6.75	5.88	.62-11	1.75	8
3"	3.00	1.75	6.25	3.75	5.50	7.25	6.38	.62-11	1.75	8
4"	4.00	2.00	7.00	4.50	6.50	8.50	7.50	.62-11	1.75	16
5"	5.00	2.12	7.50	5.00	7.50	9.62	8.56	.75-10	2.00	16
6"	5.75	2.12	8.00	5.50	8.00	10.12	9.06	.75-10	2.00	16
8"	7.75	2.50	9.50	6.75	9.00	11.50	10.25	.75-10	2.25	16
10"	9.75	2.50	10.75	8.00	11.00	13.50	12.25	.88-9	2.25	24
12"	11.75	3.00	12.25	9.50	12.00	15.00	13.50	.88-9	2.75	24
14"	13.25	3.00	13.62	10.50	14.00	17.00	15.50	1.00-8	2.75	24
16"	15.25	4.00	14.75	11.75	15.00	19.00	17.00	1.00-8	3.25	24
18"	17.25	4.25	16.00	12.50	16.50	20.75	18.62	1.12-7	3.50	32
20"	19.25	5.00	17.25	13.75	18.00	23.00	20.50	1.12-7	3.25	8
									4.00	32

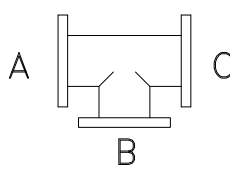


S90/91 Actuator Dimensions					
Valve Size	Actuator	H	J	K	
				(inch)	(metric)
2"-6"	63	3.00	7.29	1/8 NPT	ISO 7/1-Rp 1/8
2"-6"	83	3.94	8.20	1/8 NPT	ISO 7/1-Rp 1/8
2"-6"	92	4.46	8.54	1/8 NPT	ISO 7/1-Rp 1/8
2"-6"	118	6.05	9.93	1/4 NPT	ISO 7/1-Rp 1/4
8"	118	6.05	10.93	1/4 NPT	ISO 7/1-Rp 1/4
10"-12"	118	6.05	10.93	1/4 NPT	ISO 7/1-Rp 1/4
2"-6"	127	6.17	10.73	1/4 NPT	ISO 7/1-Rp 1/4
8"	127	6.17	11.73	1/4 NPT	ISO 7/1-Rp 1/4
10"-12"	127	6.17	11.73	1/4 NPT	ISO 7/1-Rp 1/4
5"-6"	160	7.72	13.37	1/4 NPT	ISO 7/1-Rp 1/4
8"	160	7.72	13.37	1/4 NPT	ISO 7/1-Rp 1/4
10"-12"	160	7.72	13.37	1/4 NPT	ISO 7/1-Rp 1/4
8"	210	9.46	15.61	1/4 NPT	ISO 7/1-Rp 1/4
10"-12"	210	9.46	15.61	1/4 NPT	ISO 7/1-Rp 1/4
14"-16"	210	9.46	17.61	1/4 NPT	ISO 7/1-Rp 1/4
10"-12"	255	13.35	19.46	ISO 7/1-Rp 1/4	ISO 7/1-Rp 1/4
14"-16"	255	13.35	19.46	ISO 7/1-Rp 1/4	ISO 7/1-Rp 1/4
18"-20"	255	13.35	19.46	ISO 7/1-Rp 1/4	ISO 7/1-Rp 1/4



	Automation Arrangement	Actuated Valve	Normal Closed	Normal Open
1	A	A	A	B
2	C	C	C	B
3	B	B	B	C
4	B	A	A	C
5	C	A	A	C
6	C	C	C	A
7	C	B	B	C
8	A	B	B	A
9	B	A	A	B

4	ACTUATOR	1
3	LINKAGE ASSY	1
2	VALVE	2
1	TEE	1
ITEM No.	NAME	No. REQUIRED



Valve Size _____ Pressure Rating _____
 Flg. Drilling _____
 Customer/Project _____
 Inq./P.O. No. _____
 Bray Order No. _____
 Certified Correct By _____ Date _____

PARTS LIST AND DIMENSIONS (inches) OF
 SERIES 31 BUTTERFLY VALVE WITH SERIES 11 TEE
 ASSEMBLY AND SERIES 90/91 PNEUMATIC ACTUATOR



SHEET	1 OF 1	REV.	1
DRAWING NO.		ES11A-0379	